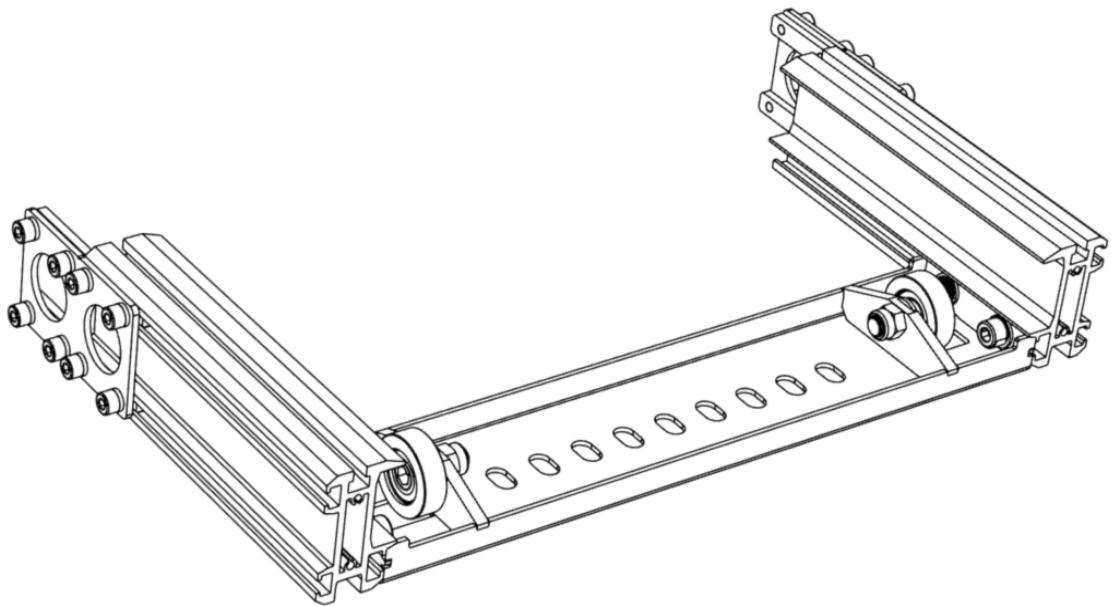


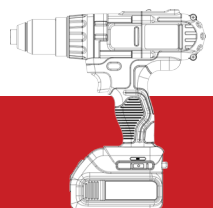


MOTORCYCLE & UNIVERSAL LOADERS

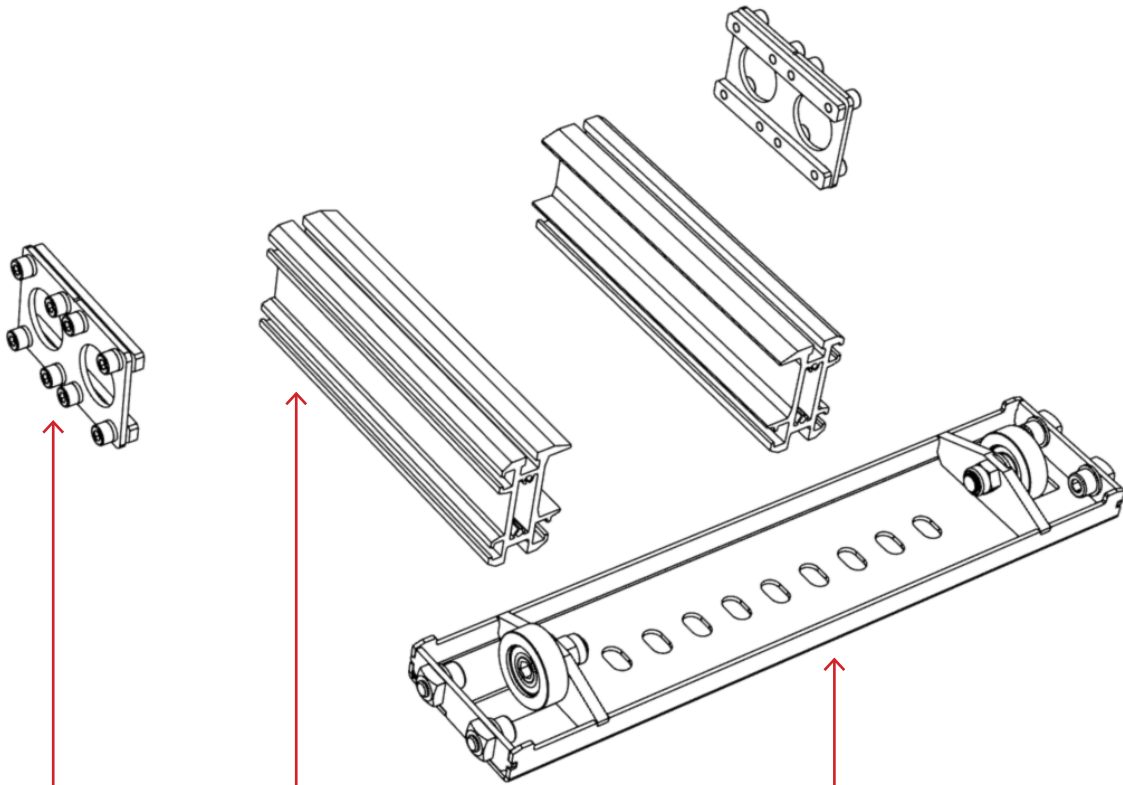
## INSTALLATION GUIDE AC 003 outside frame extender



CORDLESS TOOL LIFT



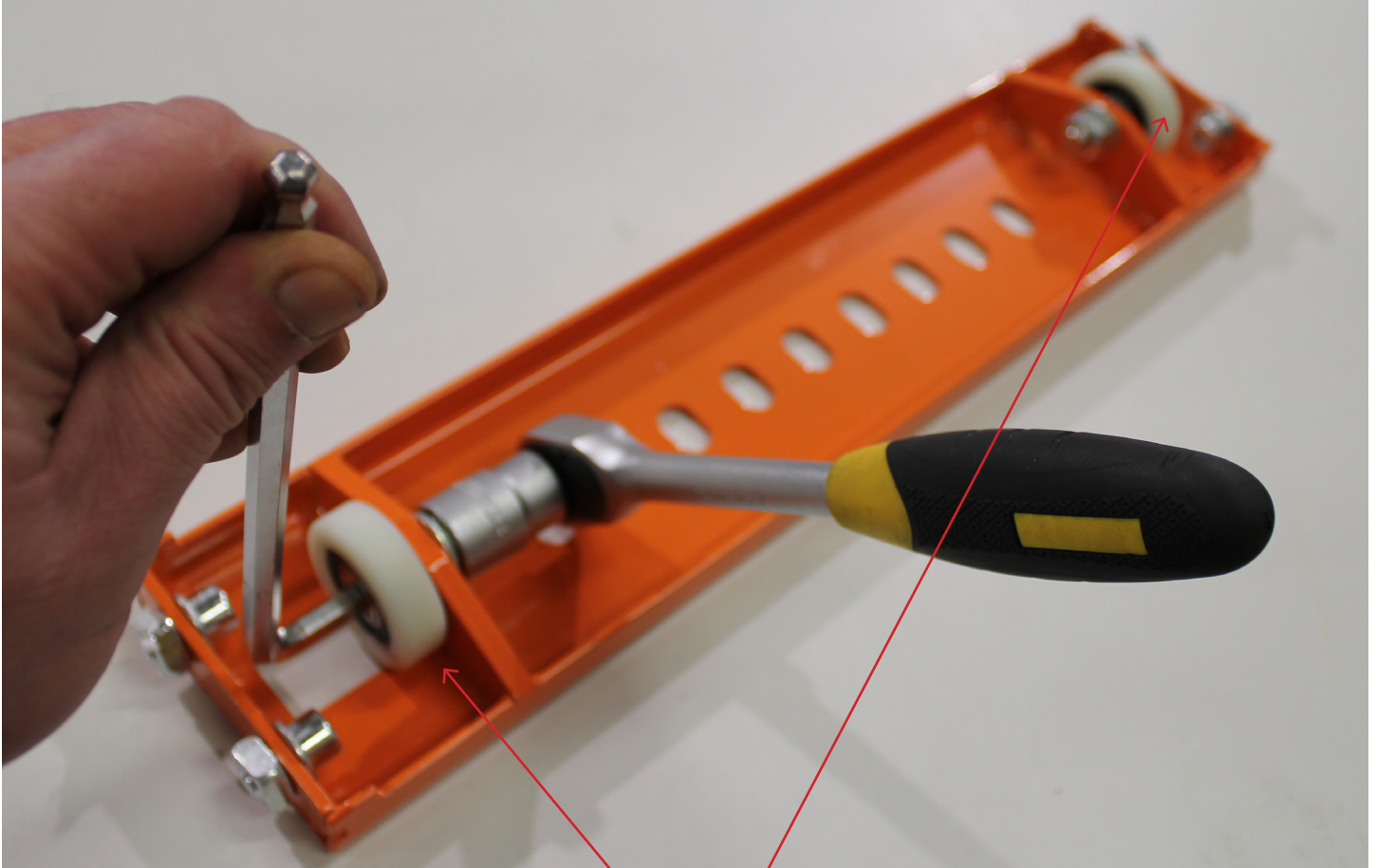
PARTS SUPPLIED WITH AC 001 KIT	3
DETACHING ROLLERS	4
LOOSEN M10 SQUARE NUTS	5
ATTACH ROLLER BRACKET TO RAIL	6
RE-ATTACH ROLLERS	7
ATTACH SIDE BRACKETS	8
SLIDE AC 003 INTO RAMP	9
TIGHTEN M8 BOLTS ON SIDE BRACKETS	10
ADJUST STOPPER POSITION	11
CHECK ROLLER POSITION	12
MAIN SIZES, STANDARD AC 003 UNIT	13



Bracket with bolts, 2 PCS

Aluminium rails, 2 PCS

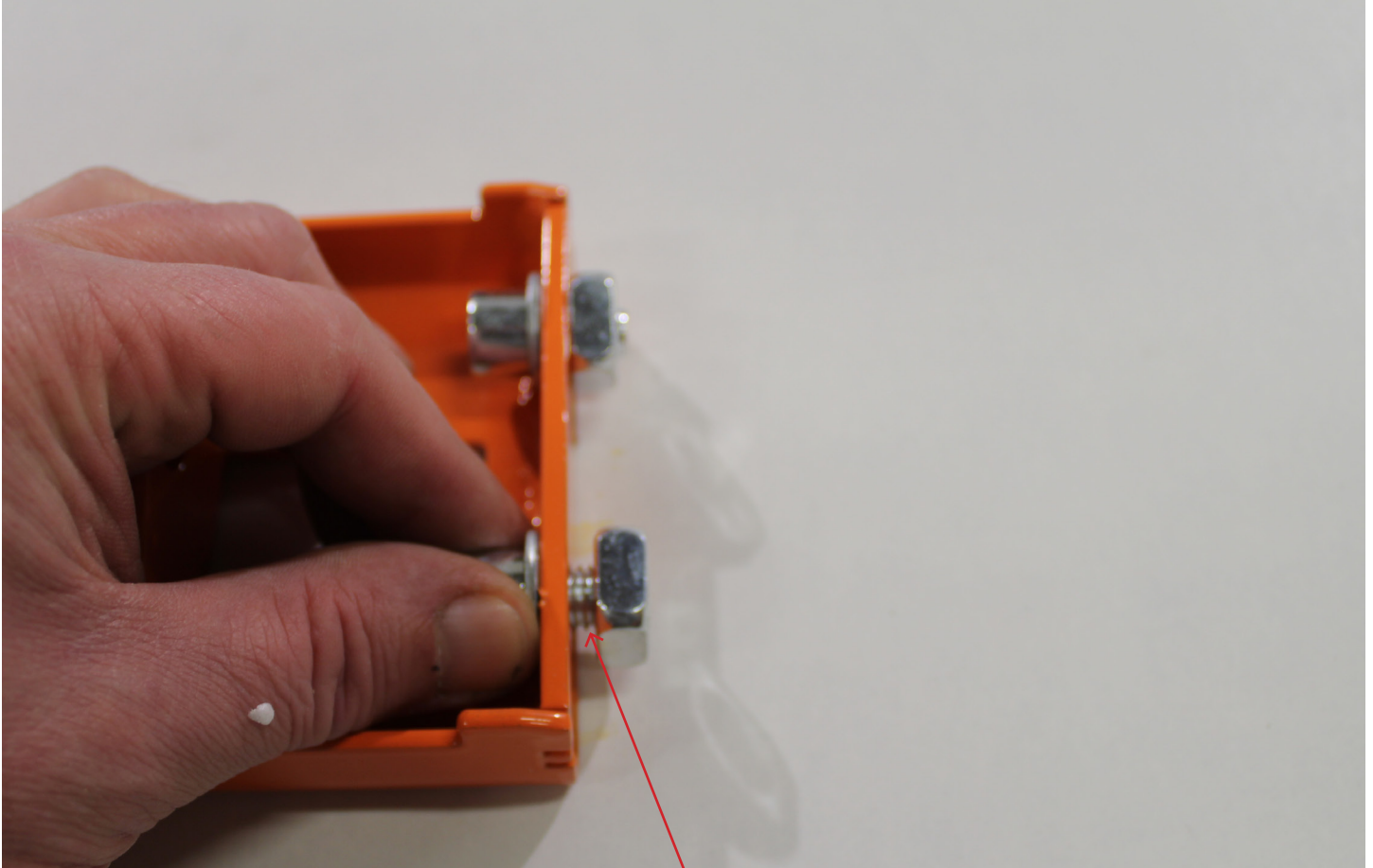
Roller bracket, 2 PCS rollers, nuts and bolts



DETACH BOTH ROLLERS

#### NOTES

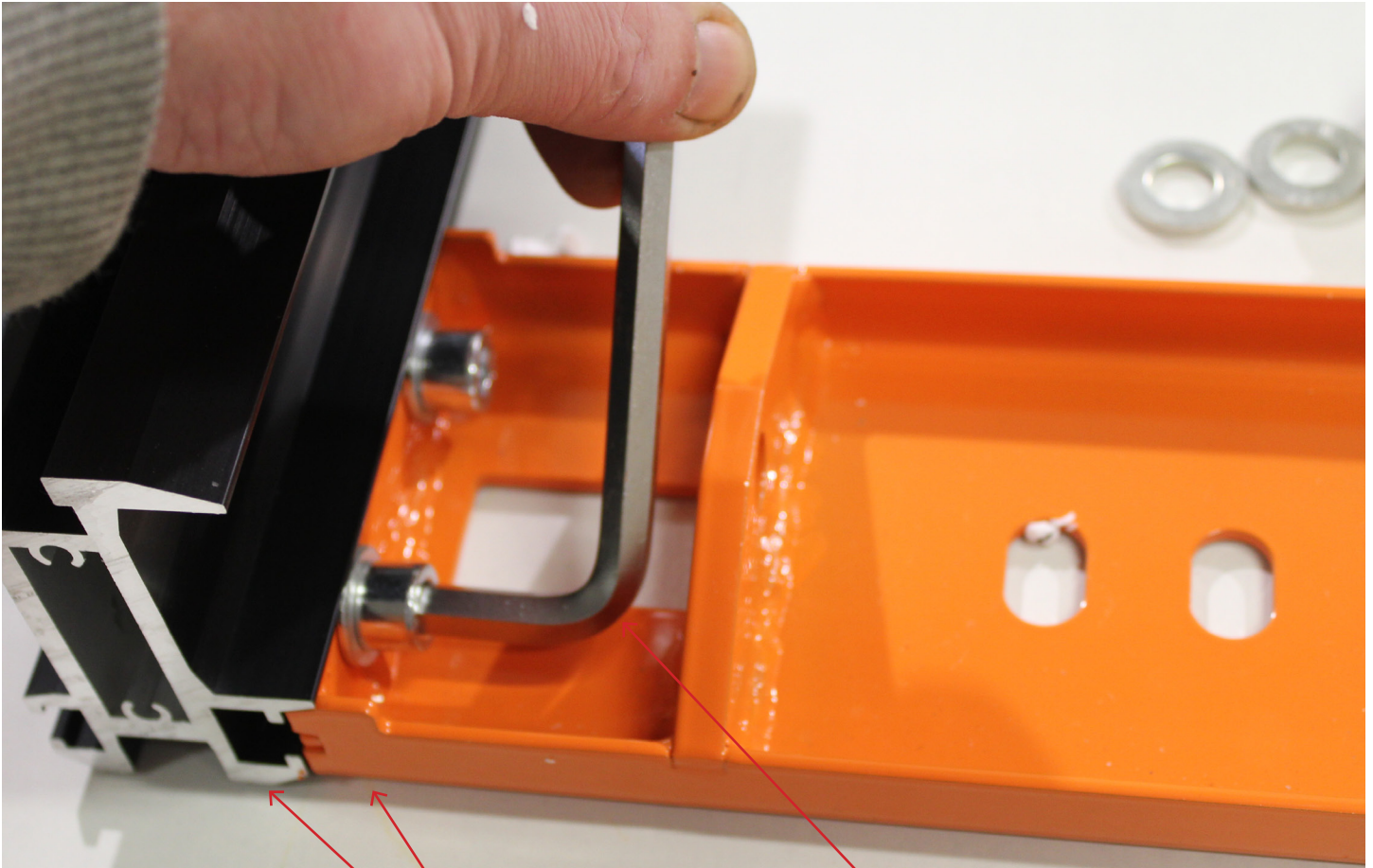
Use an allen key for the roller bolt on one side, and a 19mm wrench or socket at the nut end. The rollers need to come off so that you can install the roller bracket to the rails.



LOOSEN SQUARE NUTS  
WITH A 3-4MM GAP

NOTES

Loosen the square M10 nuts so that they can slide through the rails (next page).

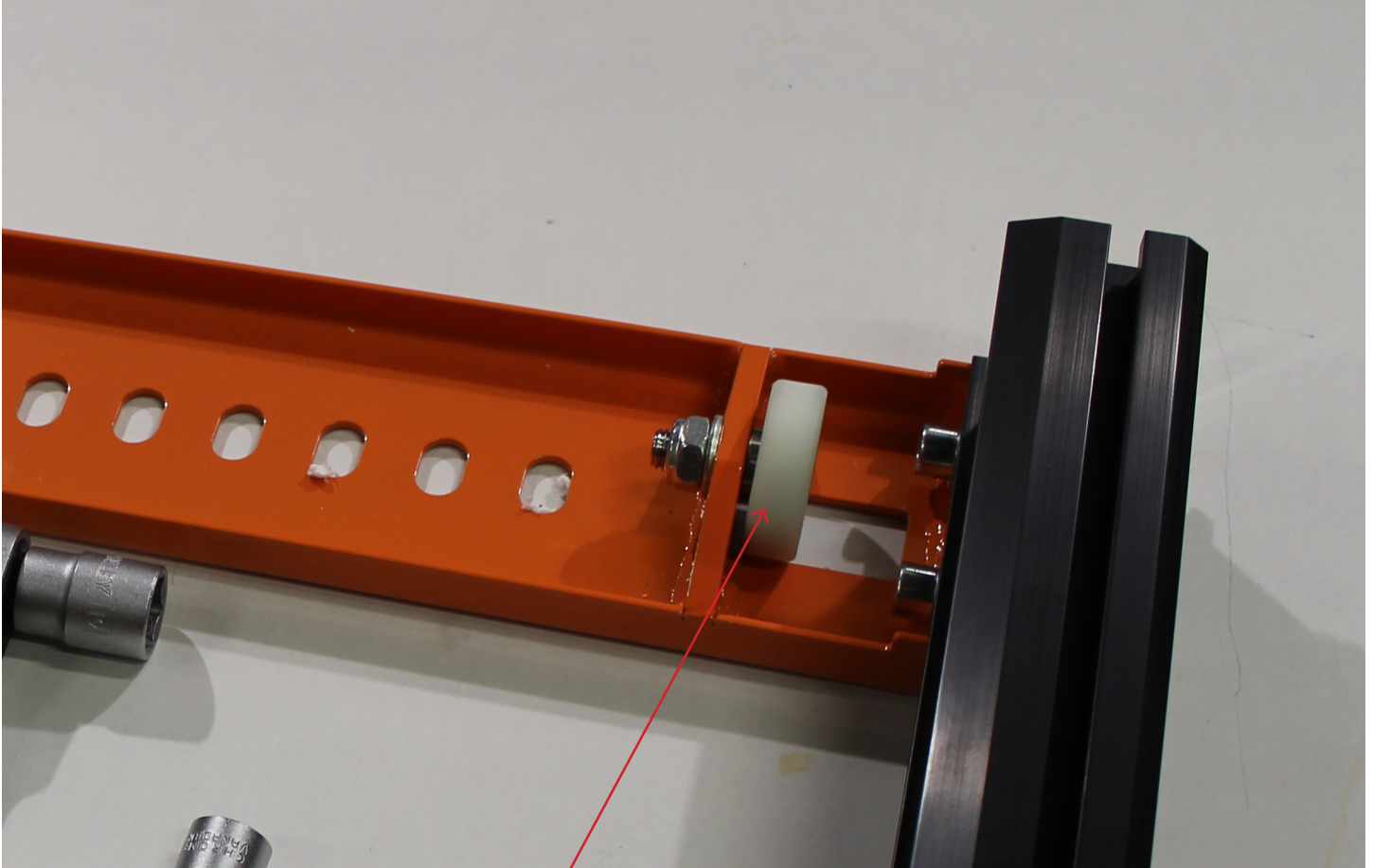


ATTACH BRACKET FLUSH WITH RAIL

TIGHTEN BOLTS

#### NOTES

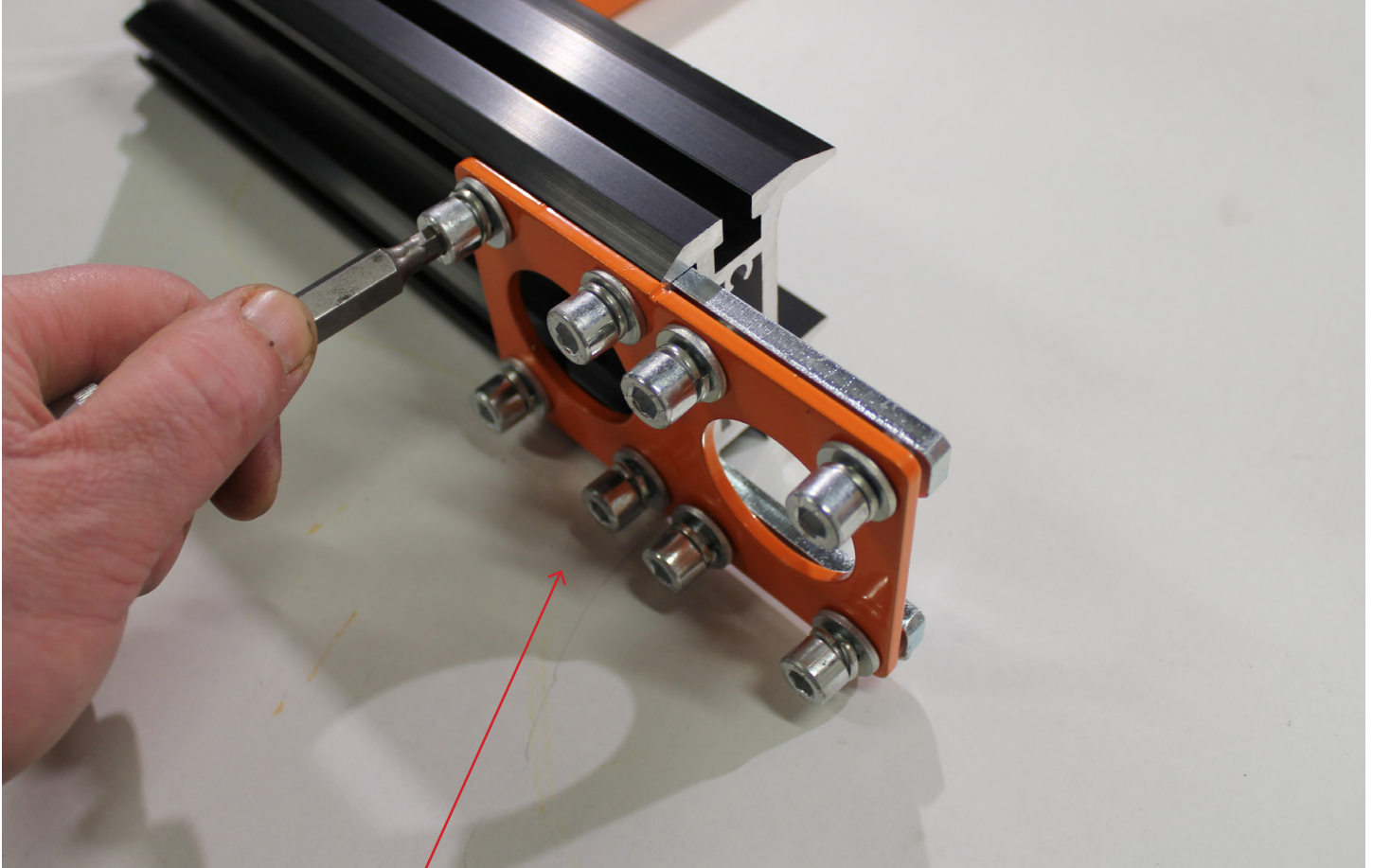
Slide the M10 bracket bolts through the rail. Make sure they are flush with each other by using a flat surface like a ruler or table surface. Tighten the bolts then repeat on the other side in mirror image.



RE-ATTACH ROLLERS

## NOTES

Re-attach both rollers like in the picture. The roller facing the inside of the rail. The M12 stud going through the bracket. Use the flat washer between the bracket and the M12 nut.

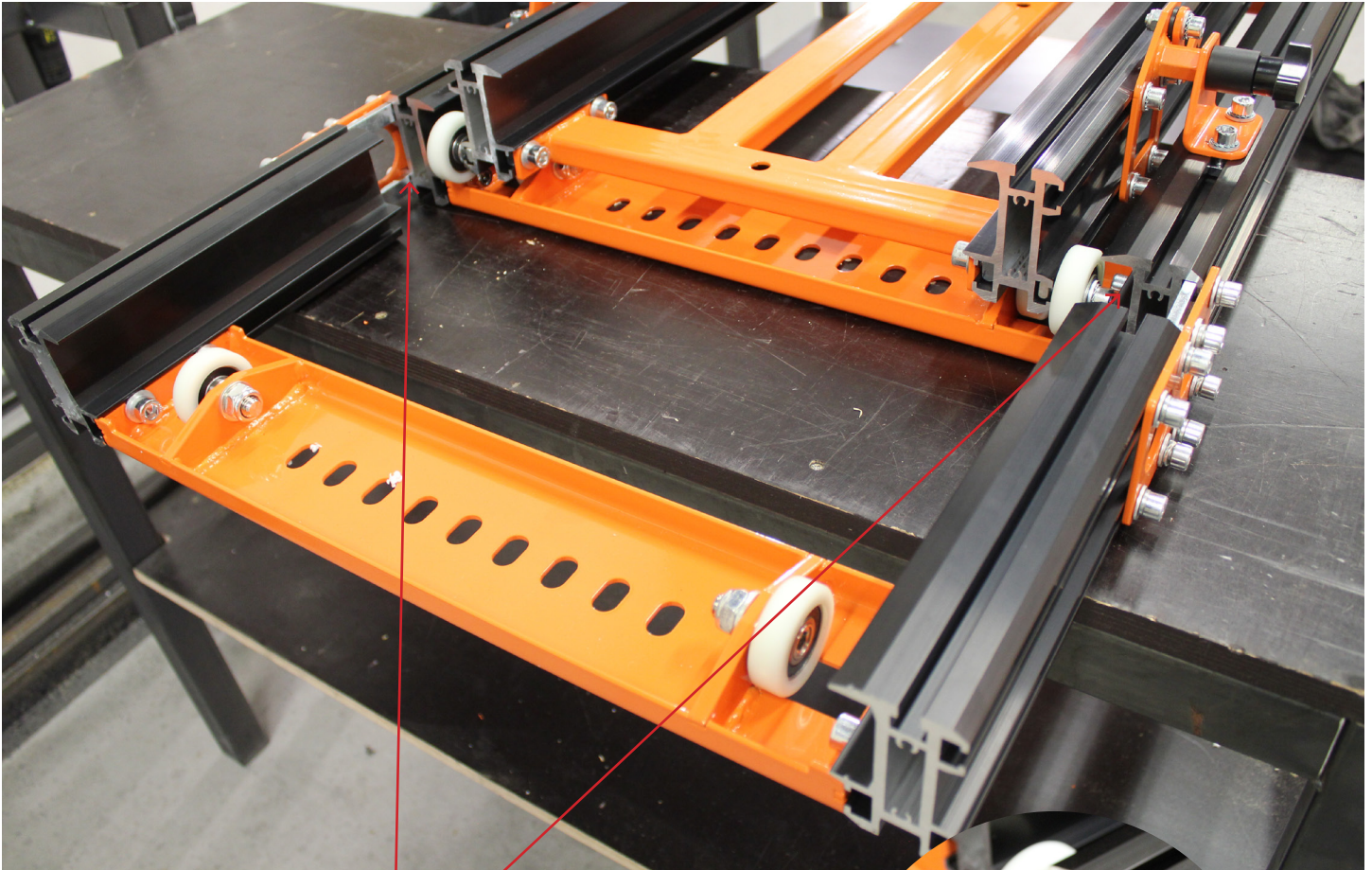


ATTACH BRACKET

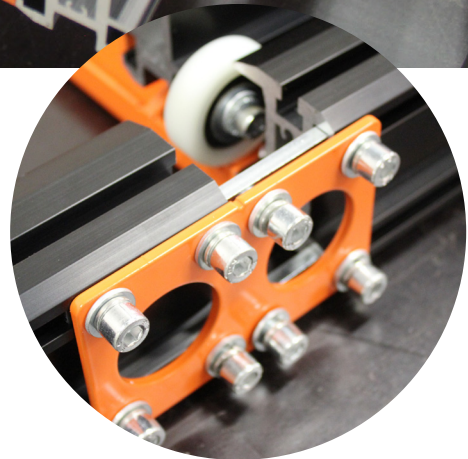
## NOTES

Loosen the M8 bolts a little bit so that the bracket can slide through the rail grooves. There is a notch in the top and bottom sides of the bracket. That notch should be aligned with the end of the rail. Repeat in mirror image on the other side. Lock one of the bolts - the one farthest away from the edge, so that the bracket does not slide.



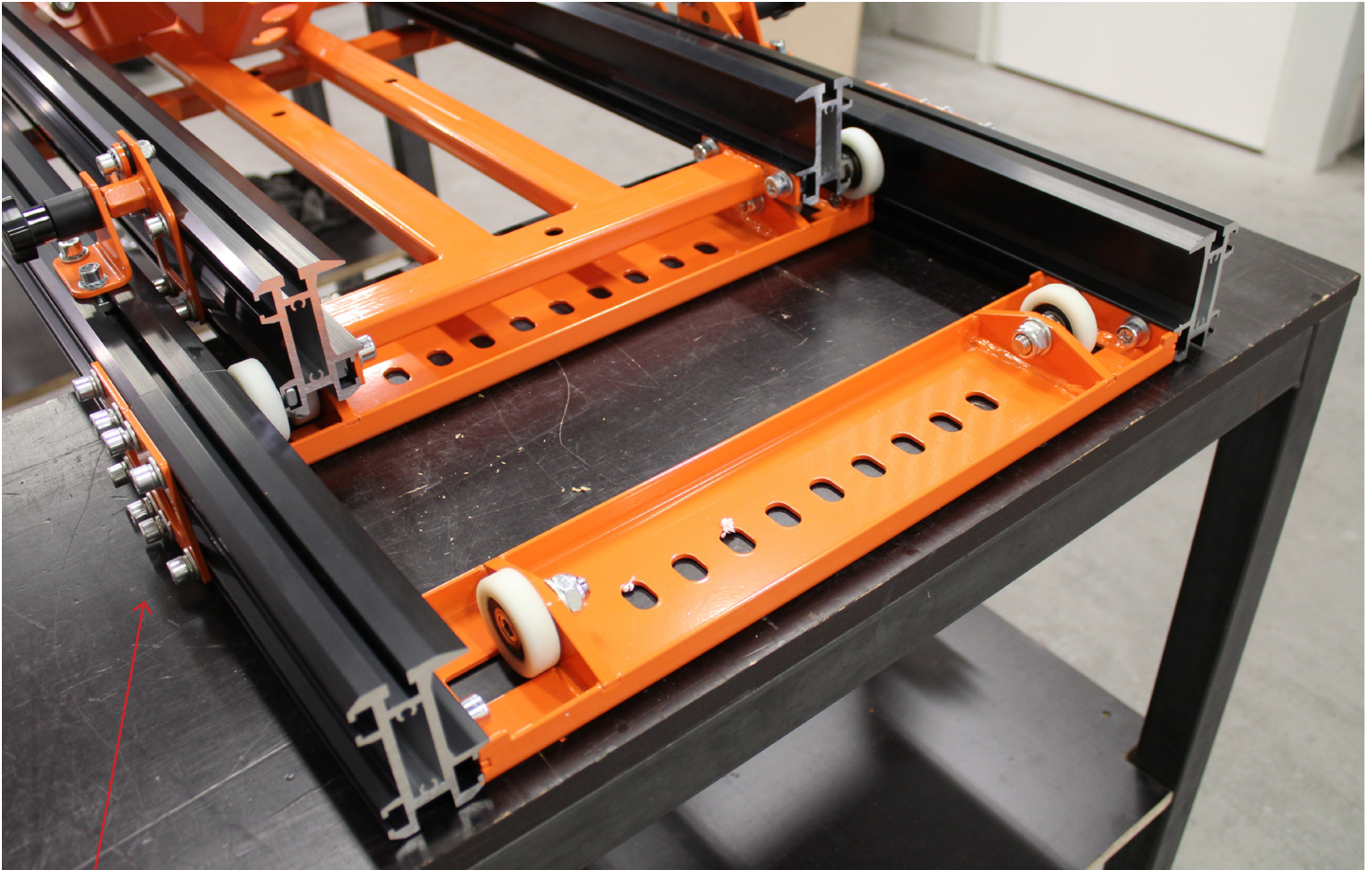


SLIDE AC 003 IN PLACE



NOTES

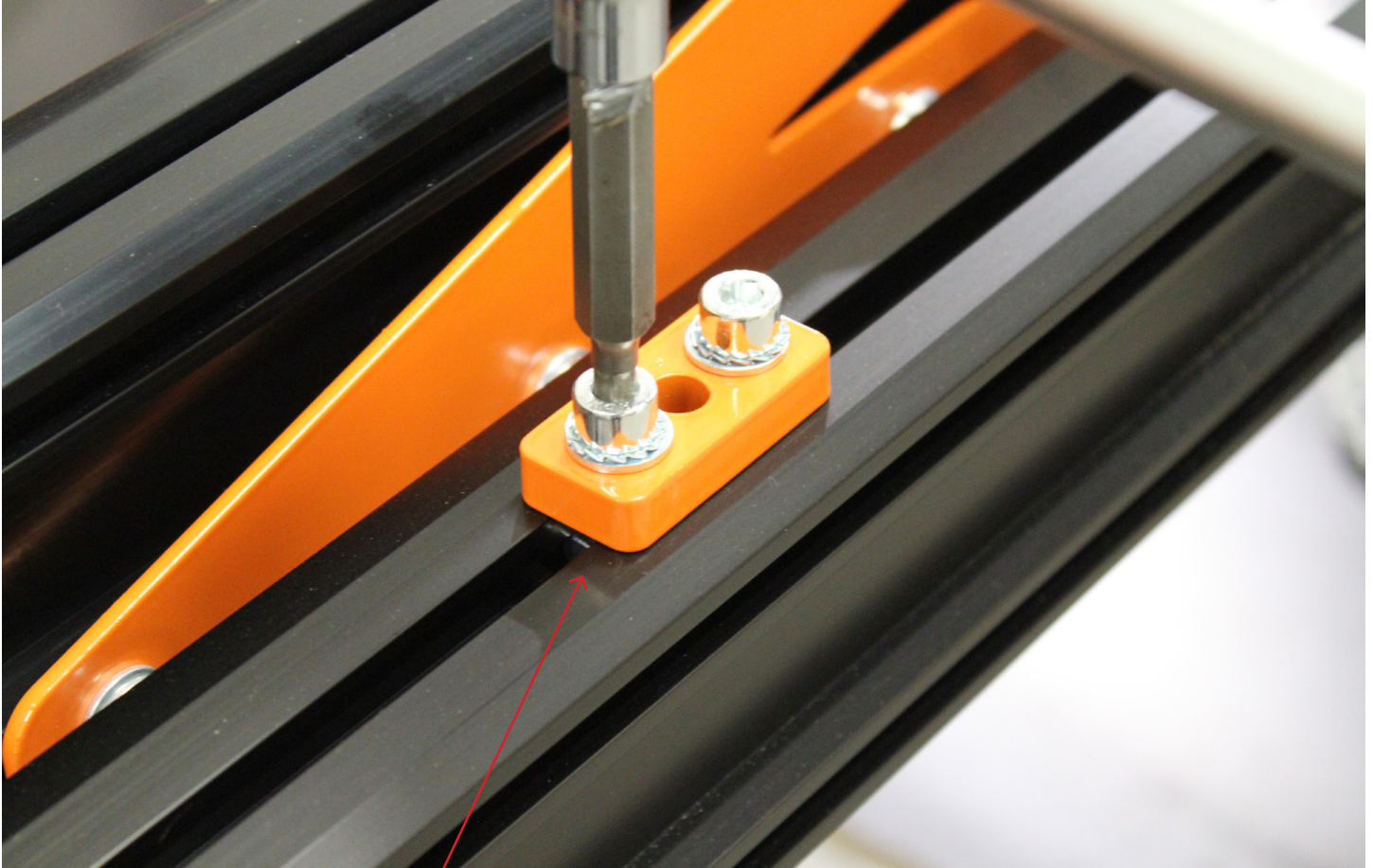
Loosen the rest of the bolts so that the attach brackets and their threaded metal guides can slide through the end of the ramp.



TIGHTEN ALLEN HEAD BOLTS

NOTES

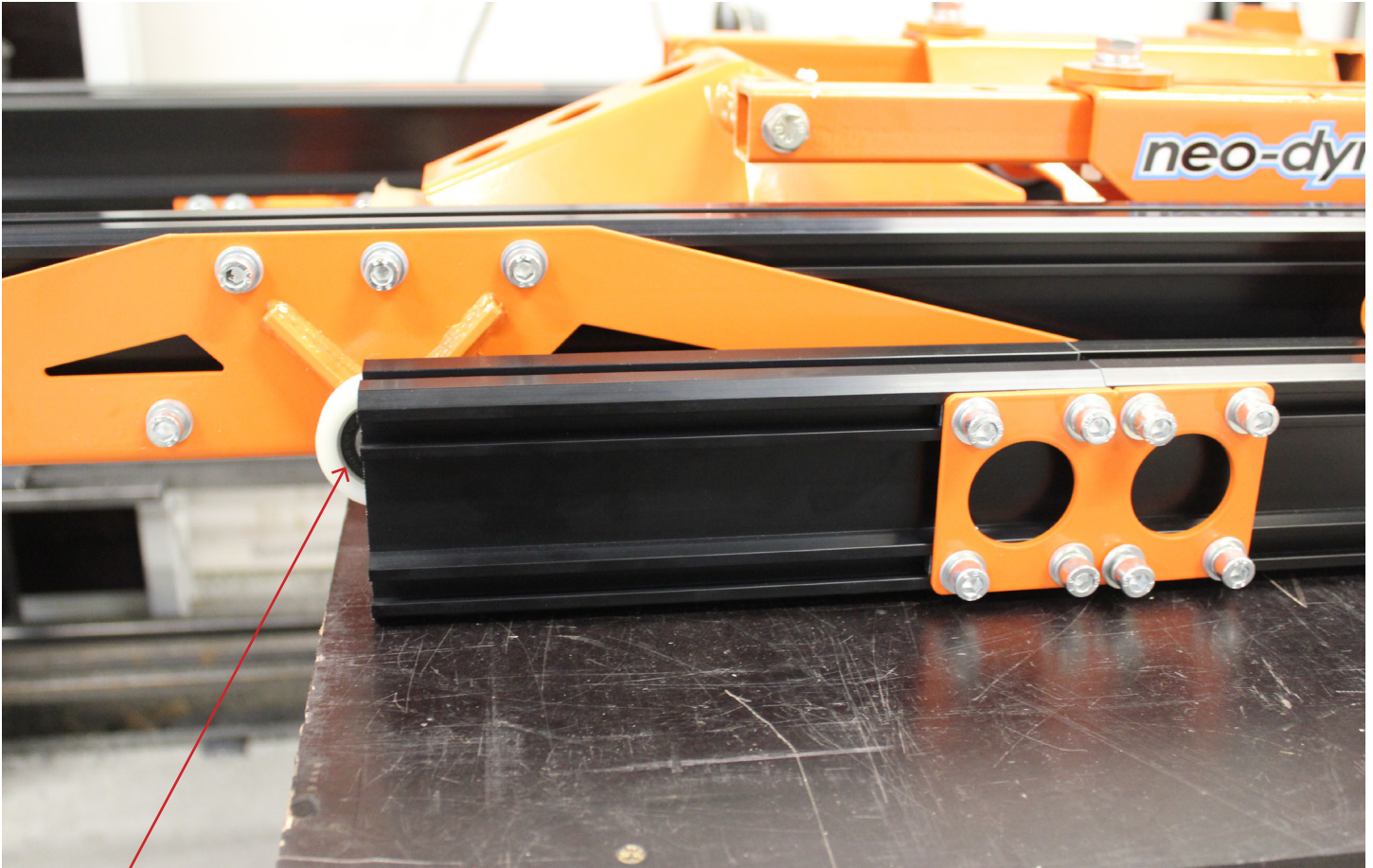
Tighten the allen head bolts on each side.



LOOSEN THE RAIL STOPPERS

## NOTES

You will need to slide the ramp stoppers on the main frame backwards. You need to slide them back to a distance equal to the length of the AC 003 rails. So in this case, using standard 250mm long rails for the extender, you need to slide the stoppers back 250mm. If your rails are longer, like say 400mm, then you need to slide the stoppers back 400mm (see next page how to double-check).



STEEL SHAFT JUST SHOWS

## NOTES

To check that the stoppers are set correctly, slide the ramp out. Its pivot rollers should be able to slide out and then stop when the steel shaft just shows (steel shaft edge is tangent to the edge of the rail). It is common sense really, you want the roller to stay on the rail, but clear it so that the inside ramp can tilt.

