

AUN 100 tech specs

Revision 01, December 2021

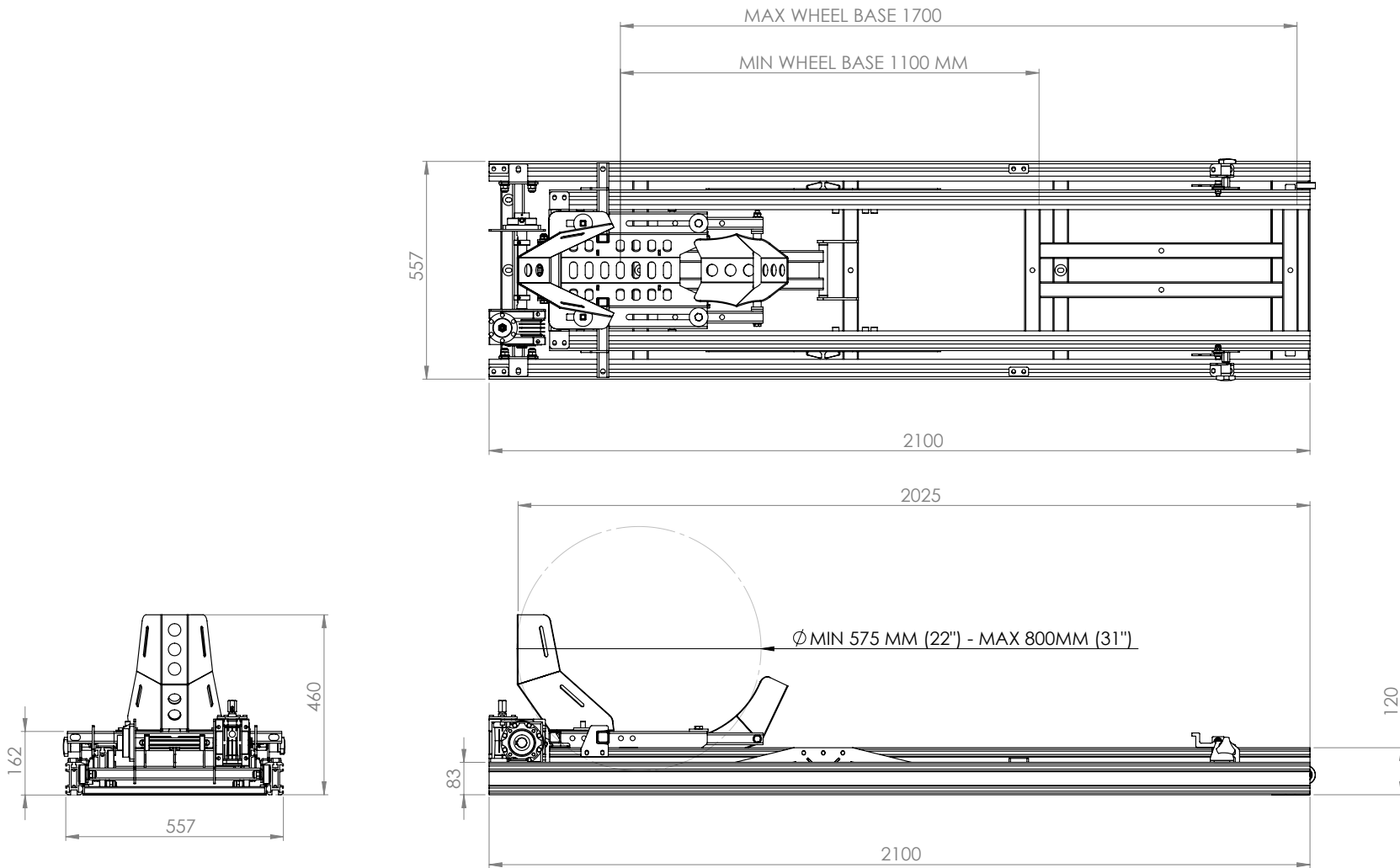
Main sizes 2

Lift height - standard 3

Lift height with AC 001 extender 4

Dimensions using AC 003 extender 6

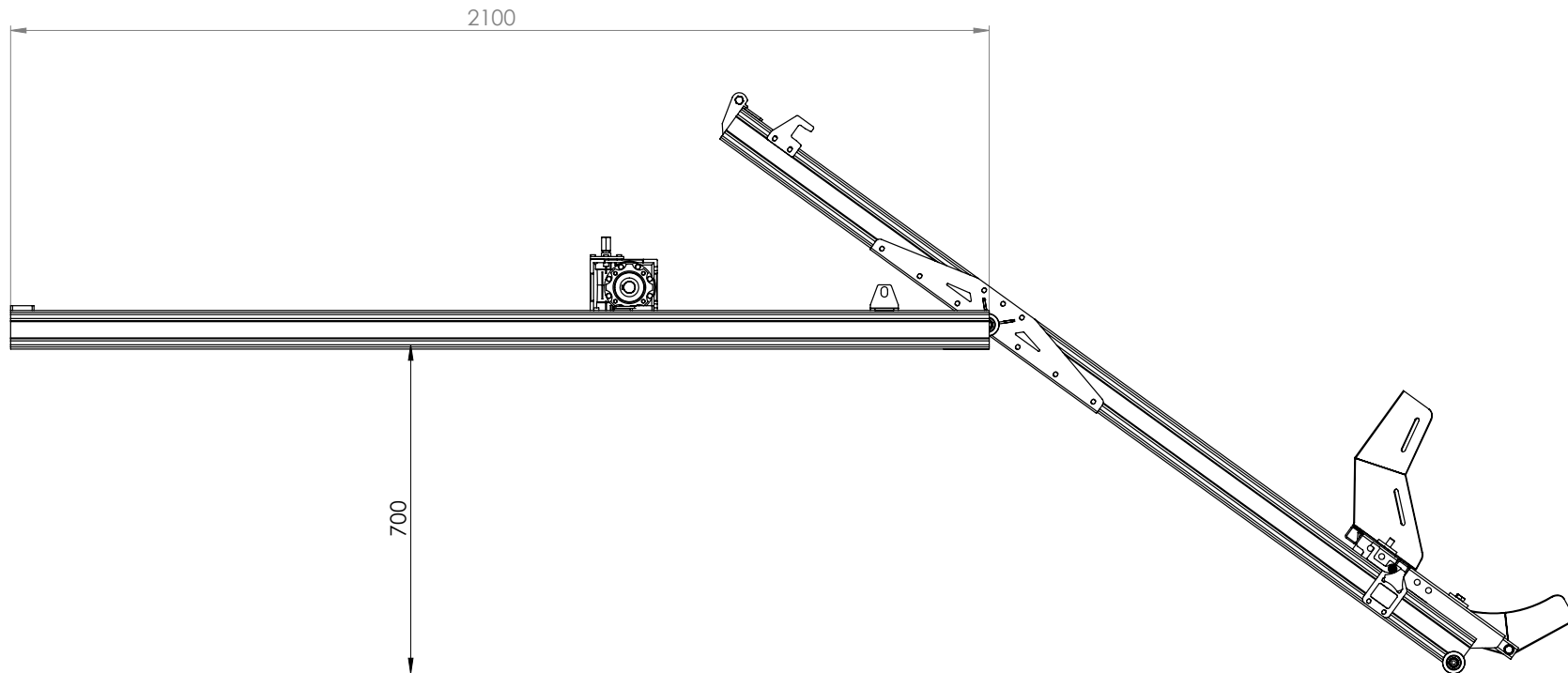




Empty weight - 80kg

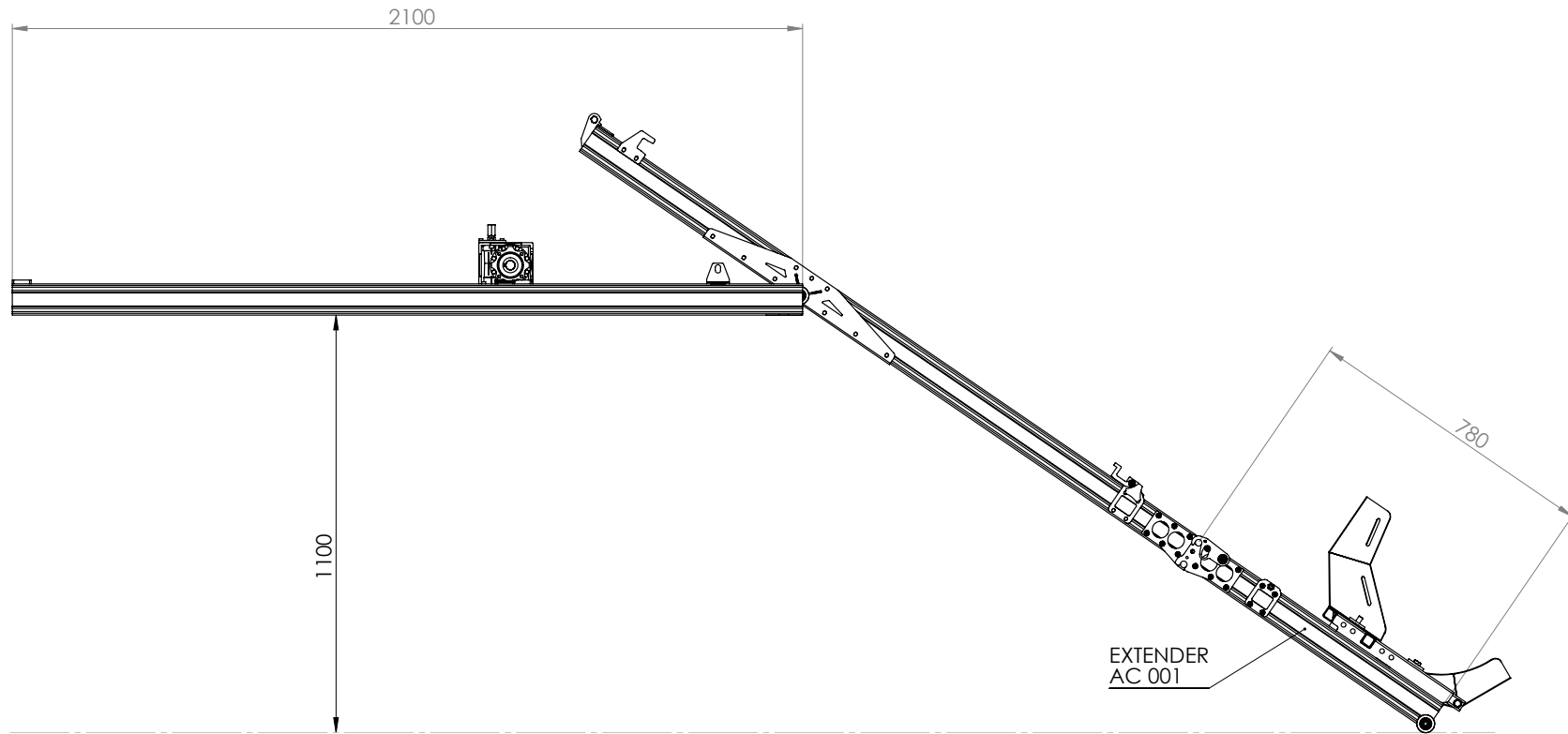
Max load 550 kg

Ramp adds 85mm to the motorcycle height when loading. However if the front struts of the motorcycle are compressed 85mm, the ramp adds no height to the loaded motorcycle.



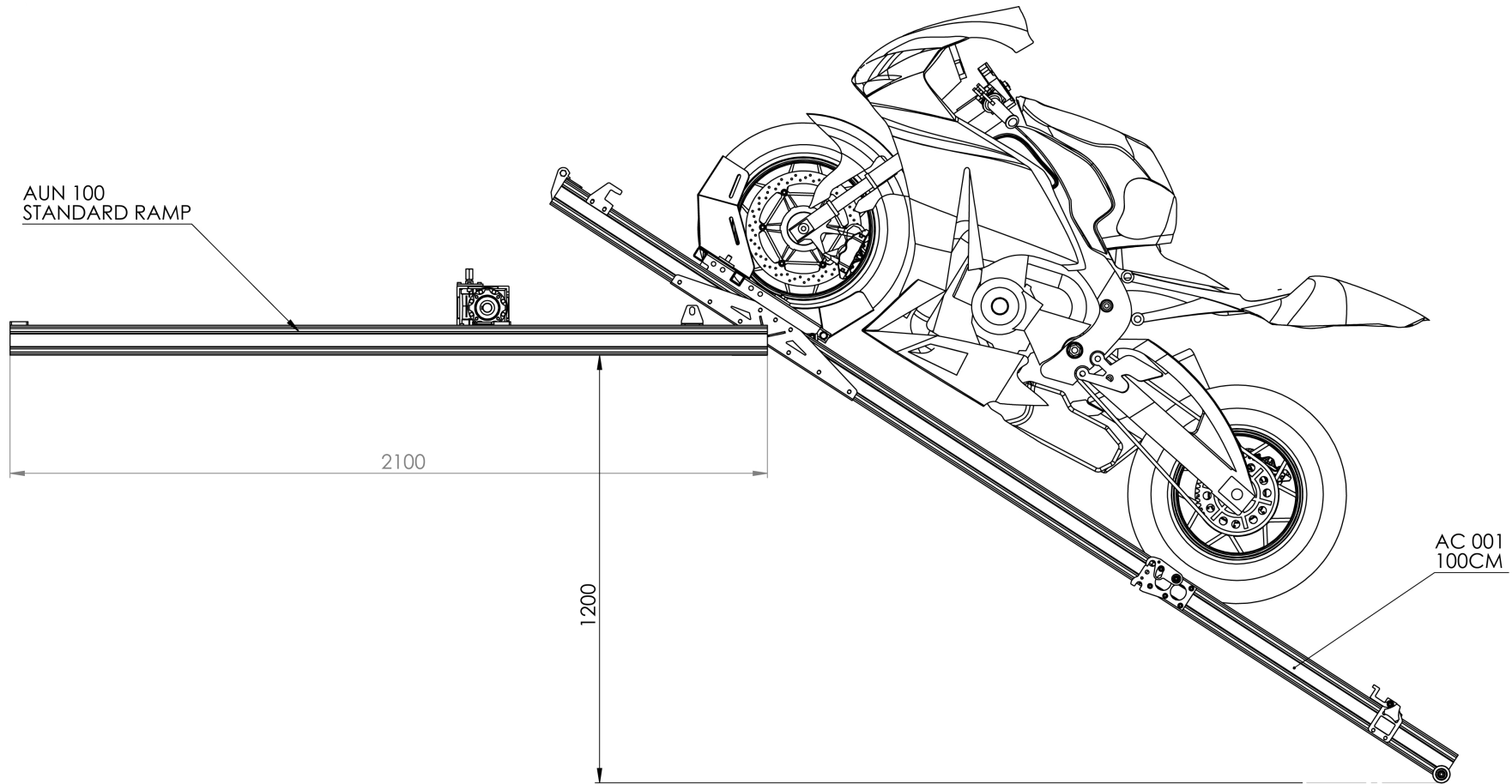
Lift height is max 700mm in its standard version.

AUN 100 lift height using AC 001 extender

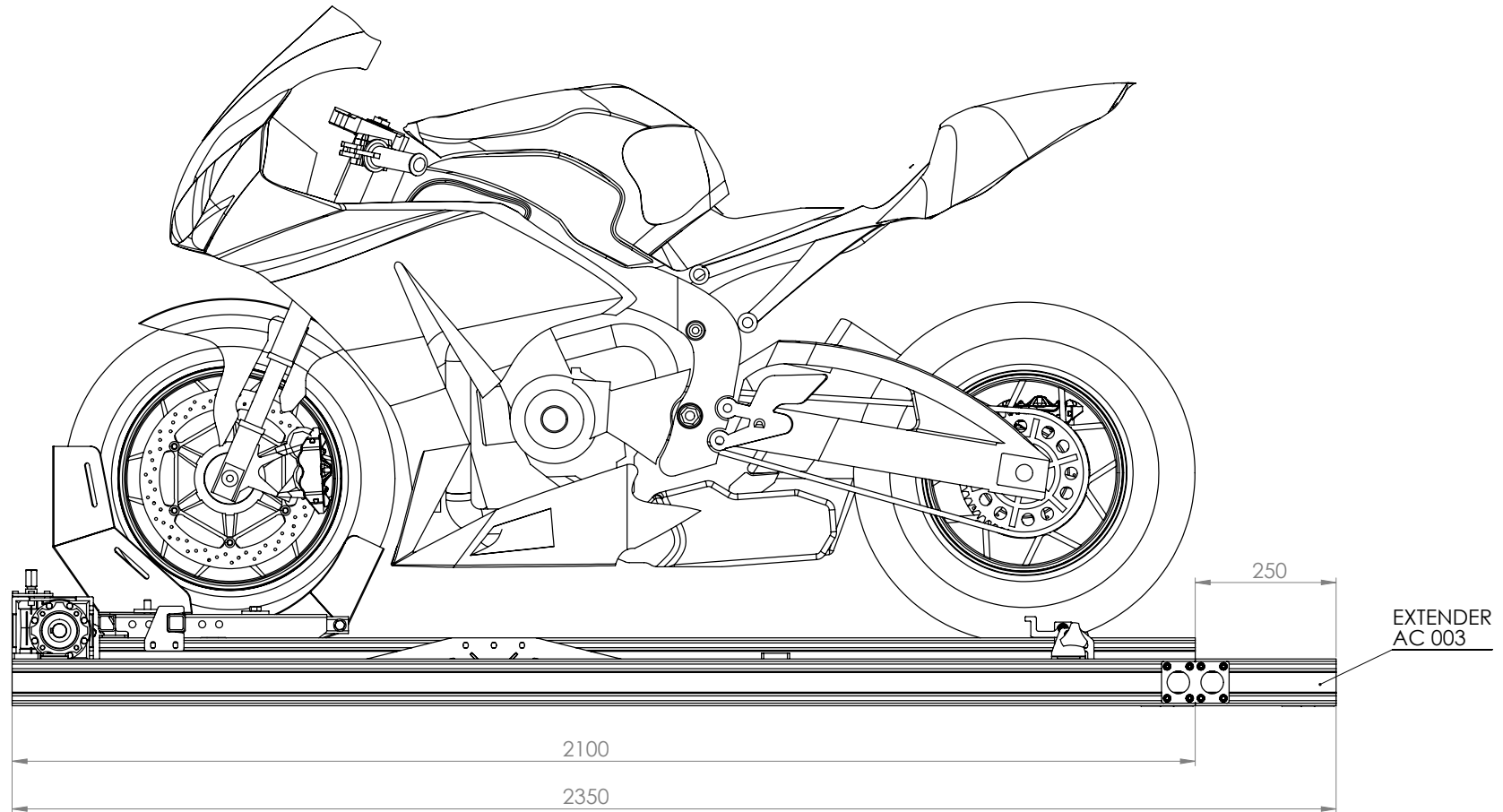


Lift height is max 1100mm using a standard AC 001 extender.

AUN 100 lift height using a longer AC 001 extender



Lift height can reach 1200 or 1300mm if the AC 001 extender is longer (custom orders only).



The AC 003 extender can be attached at the rear or the front of the ramp. Very good for motorcycles with large overhangs at the back. When loading into a van for example, the motorcycle can slide further in into the van, so that the back doors can be closed.